

## HBL2725 -- Twist-Lock Flanged Inlet



3P4W, 30A 3PH 250V, L15-30P, White Nylon

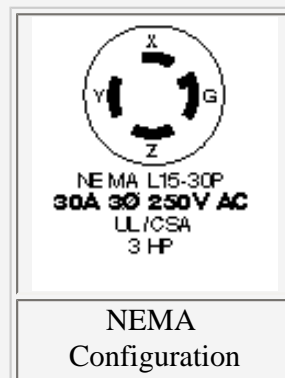
### Product Specifications

#### Product Type



<b>Product Item</b>	Flanged Inlet
<b>Wiring Scheme</b>	3 Pole, 4 Wire Grounding
<b>Amperage</b>	30A
<b>Voltage</b>	3 Phase 250V AC
<b>NEMA Configuration</b>	L15-30P
<b>Item Style</b>	Standard
<b>Device Color</b>	White
<b>Terminal Retainer Material</b>	Clear polycarbonate
<b>Blade Material</b>	Brass
<b>Terminal Clamp Material</b>	.08" (2) steel-nickel plated
<b>Terminal Screw Material</b>	#10-32 Brass (white finish on neutral screw when used) Multi-drive

<b>Ground Screw Material</b>	#10-32 Brass (green finish) Multi-drive
<b>Body Holding Screw Material</b>	Steel, zinc plated Multi-drive
<b>Body Contact Carrier Material</b>	Natural White Nylon
<b>Flanged Casing Material</b>	Natural White Nylon
<b>Mounting Screw Material</b>	Nickel-plated Brass Round head screws
<b>Ratings</b>	Molded into face
<b>Catalog No.</b>	Permanently ink marked on casing
<b>Dielectric Voltage Withstand</b>	2,000V minimum.
<b>Current Interrupting</b>	Certified for current interrupting at full rated current.
<b>Temperature Rise</b>	Max 30 C temperature rise at full rated current after 50 cycles of overload at 150% of rated current at a power factor of .75.
<b>Terminal Accommodation</b>	30A #10 AWG
<b>Terminal Identification</b>	Terminals identified in accordance with UL 498 (X, Y, Z, White, Green)
<b>Flammability</b>	HB or better per UL 94 or CSA 22.2 No. 0.6
<b>Operating Temperatures</b>	Maximum Continuous 75 C Minimum -40 C (w/o impact)
<b>Listings</b>	FED SPEC UL/CSA
<b>Catalog Page</b>	<a href="#">Click here for catalog page B40</a>
<b>Brochures</b>	<a href="#">Click here for product brochure</a>
<b>Hubbellnet</b>	<a href="#">Click here for Hubbellnet</a>
<b>Catalog Section</b>	<a href="#">Click here for Section-B</a>
<b>UPC Number</b>	78358503928
<b>Weight in LBs</b>	0.2

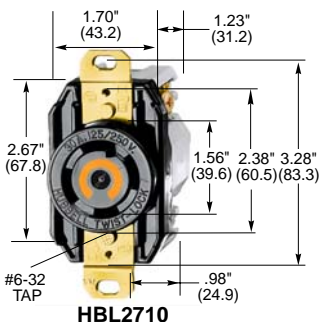


## TWIST-LOCK® Devices

### 3 Pole, 4 Wire Grounding

30 Ampere, 125/250 Volts and 3Ø 250 Volts

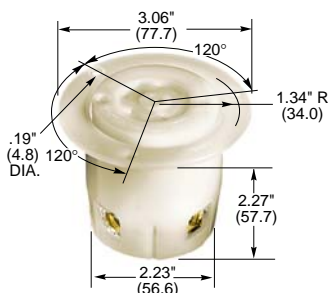
Receptacles, INSULGRIP® Connector Bodies, Flanged Devices and Plugs



**HBL2710**



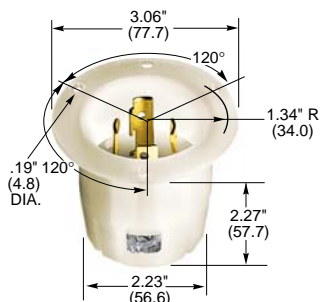
**HBL2713**



**HBL2716**



**HBL2711**



**HBL2715**



NEMA L14-30R  
30A 125/250V  
UL/CSA  
2 (2) HP



NEMA L15-30R  
30A 3Ø 250V AC  
UL/CSA  
3 HP

### Single Flush Receptacles, Back and Side Wired

Description	Catalog Numbers	
Black nylon face.	<b>HBL2710</b>	<b>HBL2720</b>
Isolated ground, orange nylon face.	<b>IG2710</b>	<b>IG2720</b>

### Insulgrip Connector Bodies IP20 SUITABILITY

Description	Catalog Numbers	
Black and white nylon.	<b>HBL2713</b>	<b>HBL2723</b>
Corrosion resistant, yellow nylon.	<b>HBL27CM13</b>	<b>HBL27CM23</b>

Note: Cord clamp range .35"-1.15" (9-29).

### Insulgrip Flanged Receptacles

Description	Catalog Numbers	
Nylon casing, back wired.	<b>HBL2716</b>	<b>HBL2726</b>



NEMA L14-30P  
30A 125/250V  
UL/CSA  
2 (2) HP



NEMA L15-30P  
30A 3Ø 250V AC  
UL/CSA  
3 HP

### Insulgrip Plugs IP20 SUITABILITY

Description	Catalog Numbers	
Black and white nylon.	<b>HBL2711</b>	<b>HBL2721</b>
Corrosion resistant, yellow nylon.	<b>HBL27CM11</b>	<b>HBL27CM21</b>

Notes: Cord clamp range .35"-1.15" (9-29).  
See page B-73 for Add-A-Shroud™ kit.

### Insulgrip Flanged Inlets

Description	Catalog Numbers	
Nylon casing, back wired.	<b>HBL2715</b>	<b>HBL2725</b>

Notes: HP ratings not in parentheses are phase to phase.  
HP rating in parentheses is phase to neutral.  
Only receptacles and plugs are HP rated.  
See pages B-70 and B-71 for accessories.  
For technical information see page B-83.  
See page B-63 for switched enclosure.